

COMPACT PTC FAN HEATER

CS 032 / CSF 032 | 1,000 W



CS 032 Fan Heater



CSF 032 Fan Heater
with Integrated Thermostat

- > Compact design
- > High heating performance
- > Double insulated plastic housing
- > DIN or screw mount
- > Optional integrated fixed thermostat

The compact CS 032 high performance fan heater prevents the formation of condensation and provides an evenly distributed interior air temperature in enclosures. The plastic housing provides protection against contact with current-carrying components via double insulation (protection class II). The fan heater is also available with an optional fixed-point thermostat as the CSF 032. These series were designed to accommodate DIN rail or screw mounting.



TECHNICAL DATA

Heating element	PTC resistor, temperature limiting
Overheat protection	built-in temperature limiter
Surface temperature	max. 176 °F (80 °C), except upper protective grille at 68 °F (20 °C) ambient temperature
Axial fan, ball bearing	service life 70,000 h at 77 °F (25 °C)
Air flow, free blowing	37 cfm (63 m ³ /h)
Connection	male power insert connector according to IEC320 C18
Housing	plastic, UL 94V-0, black
Mounting	clip for 35 mm DIN rail, EN 60715 or screw mount (M5, not included), tightening torque 2 Nm max.
Mounting position	air flow direction up
Operating / Storage temperature	-40 to +140 °F (-40 to +60 °C) / -40 to +158 °F (-40 to +70 °C)
Operating / Storage humidity	max. 90 % RH (non-condensing)
Dimensions	5.9 x 3.5 x 2.6" (150.5 x 88 x 66 mm)
Weight	approx. 16.5 oz. (650 g)
Protection class / Protection type	II (double insulated) / IP20
Approvals	UL File No. E234324, VDE, EAC

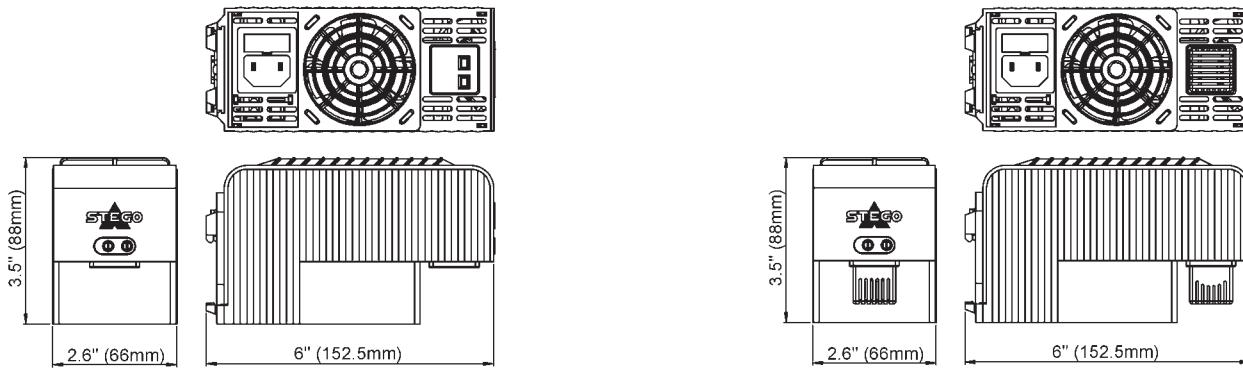
Important note: Connectors and cables for electrical connection are not included with the heater. Connection cables are available as accessories.

Part No. – DIN rail mount	Part No. – screw mount	Series	Operating voltage	Heating capacity ¹	Max. current (inrush)	Switch-off temperature ²	Switch-on temperature ²
03209.0-00	03209.0-01	CS 032, no thermostat	AC 220 – 240 V, 50/60 Hz	1,000 W	12.0 A	-	-
03209.9-00	03209.9-01	CS 032, no thermostat	AC 100 – 120 V, 50/60 Hz	1,000 W	18.0 A	-	-
03201.0-00	03201.0-01	CSF 032, with thermostat	AC 220 – 240 V, 50/60 Hz	1,000 W	12.0 A	77 °F (25 °C)	59 °F (15 °C)
03201.9-00	03201.9-01	CSF 032, with thermostat	AC 100 – 120 V, 50/60 Hz	1,000 W	18.0 A	77 °F (25 °C)	59 °F (15 °C)
03202.0-00	03202.0-01	CSF 032, with thermostat	AC 220 – 240 V, 50/60 Hz	1,000 W	12.0 A	59 °F (15 °C)	41 °F (5 °C)
03202.9-00	03202.9-01	CSF 032, with thermostat	AC 100 – 120 V, 50/60 Hz	1,000 W	18.0 A	59 °F (15 °C)	41 °F (5 °C)

¹ at 77 °F (25 °C) ambient temperature; ² tolerance of ±5 K

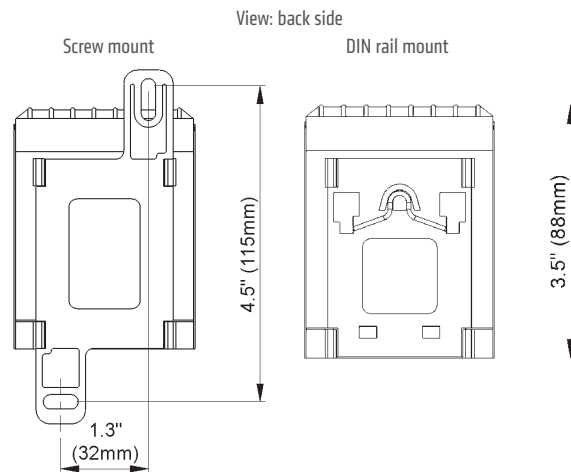
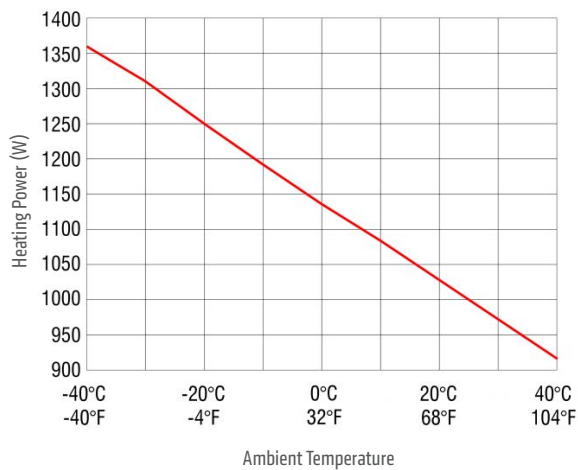
Note: Other Switch-off and Switch-on temperatures on request.

DIMENSIONAL DRAWING



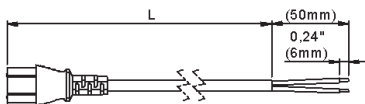
CS 032 Fan Heater

CSF 032 Fan Heater with Integrated Thermostat



ACCESSORIES

Connection cable with female power insert connector according IEC320 C17



Part No.	Length (L)
244379	3.2 ft (1.0 m)
244380	6.5 ft (2.0 m)

Retaining Clip



Photo: Retaining clip, Part No. 237009

Part No.	Note
237009	Suitable for female power insert connector on connection cable 244379 and 244380